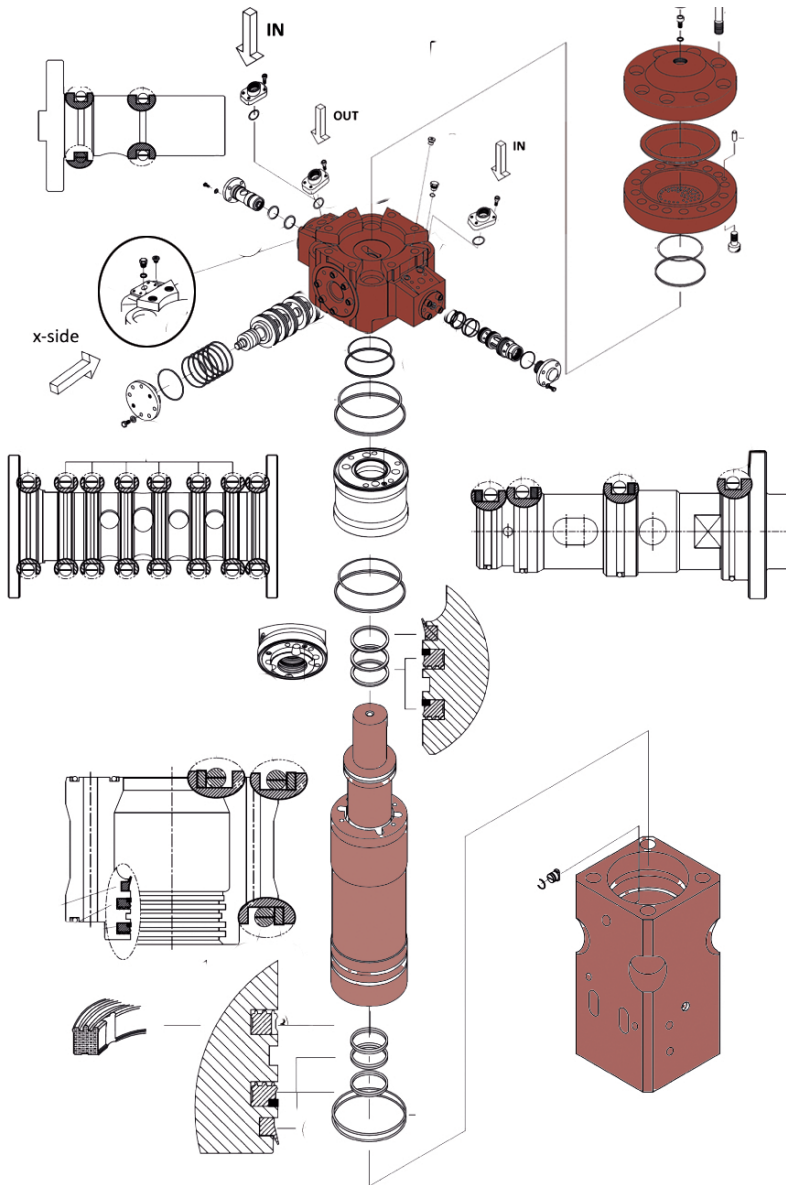




# **Abbruchhammer**

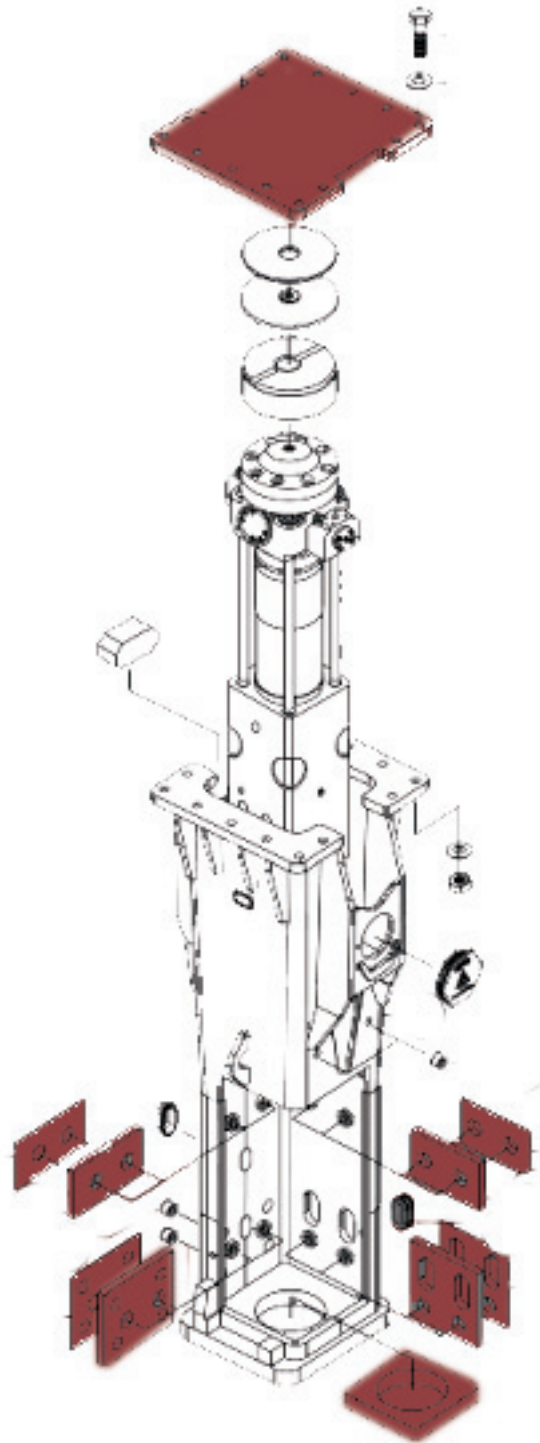
# Abbruchhammer: Dichtsätze, Membrane, Ventil...



Epiroc  
Atlas Copco  
Krupp  
Montabert  
HPV  
MSB  
Rammer  
Indeco  
Soosan  
ect.

Wir haben sämtliche Verschleißteile im Lager.

## Abbruchhammer: Gehäuse



Epiroc  
 Atlas Copco  
 Krupp  
 Montabert  
 HPV  
 MSB  
 Rammer  
 Indeco  
 Soosan  
 ect.

Wir haben sämtliche Verschleißteile im Lager.

# Atlas Copco - Furukawa

ATLAS COPCO TEX 75-80-100H-HS - SBC 115 -SB100-CP75H-80H-100H  
ATLAS COPCO TEX 110H-HS - SBC 255 -SB 150 - CP 110H  
ATLAS COPCO TEX 180H-HS - SBC 410 - SB 200 - CP 180H  
ATLAS COPCO TEX 250 H1 - CP 250H  
ATLAS COPCO TEX 250 H1  
ATLAS COPCO TEX 250 HS1 mit Bund  
ATLAS COPCO TEX 400H-HS - SBC 800-850 - SB 450 - CP 400H  
ATLAS COPCO TEX 600-700-900H-HS - HBC 1100-1700HD - CP 600H-700H-900H  
ATLAS COPCO TEX 600-700-900H-HS - HBC 1100-1700  
ATLAS COPCO TEX 1400 H-HS - HBC 2500 - CP 1400H  
ATLAS COPCO TEX 1800-2000H-HS - HBC 4000 -CP 1800H-2000H  
ATLAS COPCO SBC 610 -SBC 650 -SB 300 -CP 290H  
ATLAS COPCO PB110-CP100-THYSSEN KRUPP-AT 20-BERCO BB42  
ATLAS COPCO PB160-CP150-THYSSEN KRUPP-AT 70-BERCO BB52  
ATLAS COPCO PB210-CP200-THYSSEN KRUPP-AT 120-BERCO BB62  
ATLAS COPCO PB310-CP300-THYSSEN KRUPP-AT 170-BERCO BB70  
ATLAS COPCO PB420-CP400-CP550THYSSEN KRUPP-AT 220-BERCO BB80-KRUPP HM 220-230  
ATLAS COPCO TEX30H-SBC60-SB50  
B12, B15, B17, B22, B25, B30, B40, B50, B70  
D&A S80 - 8V Arden AB 100  
D&A S150 - S200 - 15V - 20V - Arden AB 150 - AB 210  
D&A S300 - S500 - 30V - 50V - Arden AB 280 - AB 350  
D&A S700 - 70V - Arden AB 450  
D&A S800 - 80V - Arden AB 550  
D&A S1300 - 130V - Arden AB 1050  
D&A S2200 - 200V - 220V - Arden 1850  
FURUKAWA HB05R  
FURUKAWA HB1G - Kent KHB 1G  
FURUKAWA HB2G - Kent KHB 20 - KHB 2GII  
FURUKAWA HB3G - Kent KHB 30 - KHB 3GII  
FURUKAWA HB5G - Kent KHB 50 - KHB 5GII  
FURUKAWA HB8G - Kent KHB 80 / KHB 8GII  
FURUKAWA HB10G - Kent KHB 100 - KHB 10GII - KHB 10GII-HD  
FURUKAWA HB10G  
FURUKAWA HB15G - Kent KHB 150 / KHB 15GII  
FURUKAWA HB20G - Kent KHB 200 - KHB 20GII  
FURUKAWA HB30G - Kent KHB 300 - KHB 30GII  
FURUKAWA HB40G - Kent KHB 400 - KHB 40GII  
FURUKAWA HB40G - Kent KHB 400 - KHB 40GII  
FURUKAWA HB50G - Kent KHB 500 - KHB 50GII  
FURUKAWA F1 - Kent KF1  
FURUKAWA F2 - Kent KF2  
FURUKAWA F3 - Kent KF3  
FURUKAWA F4 - Kent KF4  
FURUKAWA F5 - Kent KF5  
FURUKAWA F5 - Kent KF5  
FURUKAWA F9 - Kent KF9  
FURUKAWA F12 - Kent KF12  
FURUKAWA F12  
FURUKAWA F19 - Kent KF19  
FURUKAWA F20-F22 - Kent KF22  
FURUKAWA F27 - Kent KF27  
FURUKAWA F30-F35 - Kent KF35  
FURUKAWA F45 - Kent KF45  
FURUKAWA F70 - Kent KF70  
FURUKAWA HB2,5G - HB3R

## Indeco - Krupp

NDECO MES 121-150 - Euroram RM45  
 INDECO MES 121-150 - Euroram RM45  
 INDECO MES 180-181-200-250-HP200-UP181-200-Euroram RM48  
 INDECO MES 300-301-350-351-HP350-UP301-350-351-Euroram RM56  
 INDECO MES 450-451-521-550-HB5-HP500-UP462-521-550-Euroram RM65  
 INDECO MES 553-HP600-UP553-Euroram RM75  
 IINDECO MES 601-621-650-HP700-UP601-621-650  
 HB12-MES1050-1200-HP1200-UP1200-Euroram RM85-90  
 INDECO MES1750-1800-Euroram RM115  
 IINDECO MES2500-Euroram RM130  
 INDECO MES3000-Euroram RM140  
 INDECO MES 3500-Euroram RM145  
 INDECO MES 4000  
 INDECO MES 5000-Euroram RM160  
 INDECO MES 7000-Euroram RM180  
 IINDECO MES 8500  
 INDECO MES1500-HB19-Euroram RM110  
 Komac KB150-Dehaco DHB150s  
 Komac KB200-Dehaco DHB200s  
 Komac KB300  
 Komac KB350  
 Komac KB400  
 Komac KB1000-Dehaco DHB1000S  
 Komatsu PC09-1-PC03-2  
 KRUPP HM 300-301-305  
 KRUPP HM 45  
 KRUPP HM 50-55  
 KRUPP HM 60 V  
 KRUPP HM 60-61-75  
 KRUPP HM 85-90V  
 KRUPP HM 100-110  
 KRUPP HM 130-131-135-140V  
 KRUPP HM 170-185-190V  
 KRUPP HM 200  
 KRUPP HM 300-301-305  
 KRUPP HM 350V-Atlas Copco MB 500  
 KRUPP HM 400-401-405  
 KRUPP HM 550-551-555-560-560CS-560VHM 580-Atlas Copco MB 700 - MB 800 - CP 750  
 KRUPP HM 580  
 KRUPP HM 600-601  
 KRUPP HM 680-Atlas Copco MB 1000  
 KRUPP HM 700-701-702-705-706  
 KRUPP HM 700-701-702HM HM 710-711-712-715-720-720CS-720V-CP1150  
 KRUPP HM 710-720CS-720V  
 KRUPP HM 780V - Marathon-Atlas Copco MB 1200  
 KRUPP HM 800  
 KRUPP HM 900-901-902  
 KRUPP HM 950 - 960CS-960V-CP1650  
 KRUPP HM 950 - 960CS-960V  
 KRUPP HM 1000 MV-Atlas Copco MB 1700  
 KRUPP HM 1200-1201-1205  
 KRUPP HM 1300-1500CS-1500V-1500MV-Atlas Copco HB 2200-CP 2250  
 KRUPP HM 1300 - 1500 CS-1500V- 1500 MV  
 KRUPP HM 1300 - 1500 CS-1500V- 1500 MV (neu)  
 KRUPP HM 1800 - 2000 CS-2000 V-2000 MV neu)  
 KRUPP HM 4000  
 KRUPP HM 2100-2300-2300V-Marathon-Atlas Copco HB 3000-CP 3050  
 KRUPP HM 2500-2600-Atlas Copco HB 4200-CP 4250

# Lifton - Montabert - MSB - MTB - Rammer

Lifton LH70-LH80	NPK H-06X
Lifton LH110	NPK H-08X
Lifton LH200	NPK H-1XA
Lifton LH300/LH170	NPK H-2XA-XE
Lifton LH360	NPK H-3XA-XE-H-2X
Montabert BRH40	NPK H-4X-XE
Montabert BRH 75-76-90-91	NPK H-5X-6X
Montabert BRH 125	NPK H-6XA
Montabert BRH 250- 270	NPK H-7X-7XH
Montabert BRH 501-570	NPK H-8X-Gehl YC 70
Montabert BRH 620	NPK H-8XA
Montabert BRH 625 - 900	NPK H-10X
Montabert BRH 750	NPK H-10XA
Montabert BRH 1100	NPK H-10XB-H-10XE
Montabert BRP 30	NPK H-11X-H-14X
Montabert BRP 45 - 50	NPK H-12X-H-12XE
Montabert BRP 60 - 70	NPK E-12X-E-212
Montabert BRB 85 - 95 - 100	NPK H-16X-H-16XE
Montabert BRP 130 - 150	NPK E-213-E-213A
Montabert BRV 32	NPK E-15X-E-215
Montabert BRV 43	NPK E-106
Montabert BRV 52	NPK E-200 NPK E-201 NPK E-202 NPK E-203
Montabert BRV 53	NPK E-204 NPK E-205 NPK E-206
MSB 200	NPK E-207 NPK E-208
MSB 250	NPK E-210-A
MSB 250	NPK E-218 NPK E-216
MSB 300	NPK E-224-E-24X
MSB 300	NPK E-220
MSB 400	NPK E-225
MSB 400	NPK E-240-A
MSB 500	RAMMER S18-Piccolo
MSB 500	RAMMER S21 - CAT H 45s-JCB HM160
MSB 600 - alte Baureihe	RAMMER S22 - CAT H 50s
MSB 600 - neue Baureihe	RAMMER S23 - CAT H 63s-JCB HM260
MSB 700 - alte Baureihe	RAMMER S24 - ROX 200
MSB 700 - neue Baureihe	RAMMER S25 - CAT H 70s-JCB HM360
MSB 800 - alte Baureihe	RAMMER S25
MSB 800 - neue Baureihe	RAMMER S26 - ROX 400 -CAT H 90
MTB 10	RAMMER S26 - ROX 400
MTB 15	RAMMER S27- CAT H 90 Cs
MTB 20	RAMMER S29 - CAT H 100s
MTB 25	RAMMER S52 - ROX 700
MTB 30	RAMMER S54 - S700
MTB 34	RAMMER S55 - E66 - CAT H 120Cs
MTB 35	RAMMER S55 - E66
MTB 36	RAMMER S56 - S800 -CAT H 130
MTB 40	RAMMER S56 - S800
MTB 45	RAMMER S82 - S1400
MTB 65	RAMMER S83 - CAT H 140
MTB 85	RAMMER S83
MTB 120	RAMMER S84 -S1600 -CAT H 160
MTB 150	RAMMER S86 -S2000 - CAT H 170
MTB 170	RAMMER S86 -S2000
MTB 210	RAMMER S26 - ROX 400 -CAT H 90
MTB 250	RAMMER S29 - CAT H 100s CAT H 180s
MTB 275	Rammer G 120 - CAT H 195s
MTB 360	
MTB 500	
MTB 700	

# Rammer

RAMMER E64 - CAT H 115s	H35D S
RAMMER E64	H45D S
RAMMER E68 - CAT H 130C - H 130s	H55D S
RAMMER E68	H65D S
RAMMER G80 - CAT H 140Cs	H70
RAMMER G90 - CAT H 160 Cs	H70 S
RAMMER G100 - CAT H 180s	H90 C
RAMMER S21 - CAT H45S-JCB HM160	H90C S
RAMMER S22 - CAT H 50s CAT H 55	H100
SB30 TS-P	H100 S
SB35TS-P	H155 S
SB40TS-P	H120C S
SB43TS-P	H 130 S
SB45TS-P	H140D S
SB50TS-P	H160D S
SB60TS-P	H180D S
SB70TS-P	
SB81TS-P	
SB100TS-P	
SB121TS-P	
SB130TS-P	
SB140TS-P	
SB151TS-P	
MB 105	
MB 125	
MB 250	
MB 350	
MB 550	
MB 695	
MB 875	
MB 1550	
MB 1950	
MB 1975	
MB 2950	
MB 2975	
MB 3950	
MB 5950	
WH2 WH 2	
WH4 WH 4	
WH5 WH 5	
WH6 WH 6	
WH8 WH 8	
WH10 WH 10	
WH12 WH 12	
WH17 WH 17	
WH22 WH 22	
WH26 WH 26	
WH29 WH 29	
WH35 WH 35	
WH42 WH 42	
WH55 WH 55	
WH65 WH 65	
WH80 WH 80	
BR2214	
BR2518	
BR2155	
BR2577	



Abbruchtechnik AM GmbH  
Wörthstr. 40  
D- 89129 Langenau

Tel. +49 (0) 7345 91 88 790  
E-Mail: [info@abbruchtechnik-am.de](mailto:info@abbruchtechnik-am.de)  
[www.Abbbruchtechnik-AM.de](http://www.Abbbruchtechnik-AM.de)